



## F 3422: 8-channel relay module

- Switching voltage 60 VDC/AC
- with safety isolation
- solid state output (open collector) for LED display in the cable plug

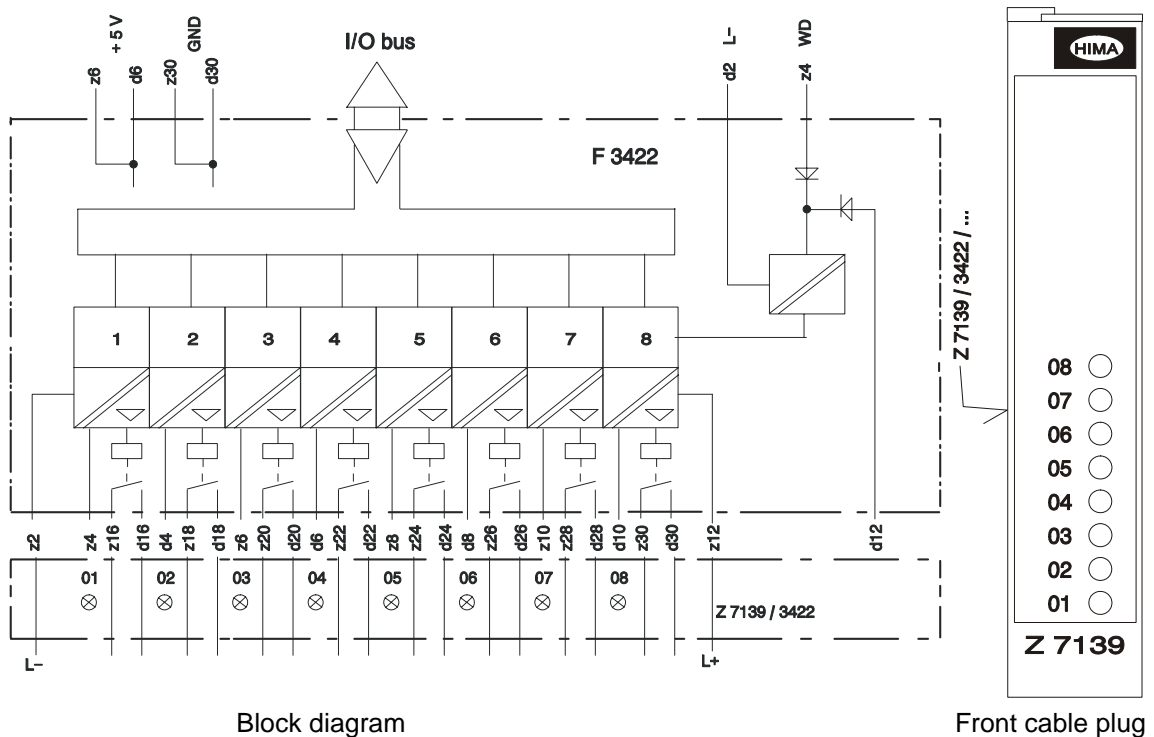


Figure 1: Block diagram and front cable plug

Relay outputs	NO contact, dust-tight
Contact material	AgNi 0.15, hard gold-plated
Switching time	approx. 10 ms
Bounce time	approx. 1.5 ms
Switching current	$1 \text{ mA} \leq I \leq 4 \text{ A}$
Inrush peak	$\leq 12 \text{ A}$ for 4 s (relative ON period $\leq 10 \%$ )
Life, mechanical	$2 \times 10^7$ cycles
Life, electrical	$> 10^5$ cycles with full resistive load and $\leq 0.1$ cycles per second
Switching capacity	up to 60 VAC: max. 240 VA, $\cos \varphi \leq 0.5$
Switching capacity (non inductive)	up to 30 VDC: max. 120 W up to 60 VDC: max. 40 W
Switching frequency	max. 18 Hz
Space requirement	4 SU
Operating data	5 VDC / 60 mA 24 VDC / 150 mA
Isolation between contact circuits	up to 300 V to EN 50178 (VDE 0160), overvoltage class II

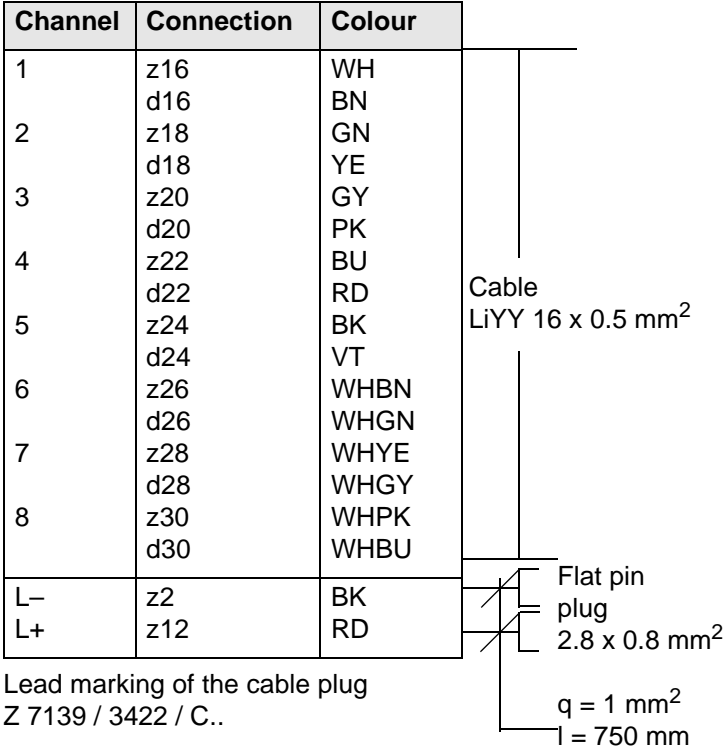


Figure 2: Lead marking of cable plug