



F 3322: 16-channel output module

- resistive or inductive load up to 500 mA (12 W), lamp connection up to 12 W
- with safe isolation
- no output signal at break of the L- supply

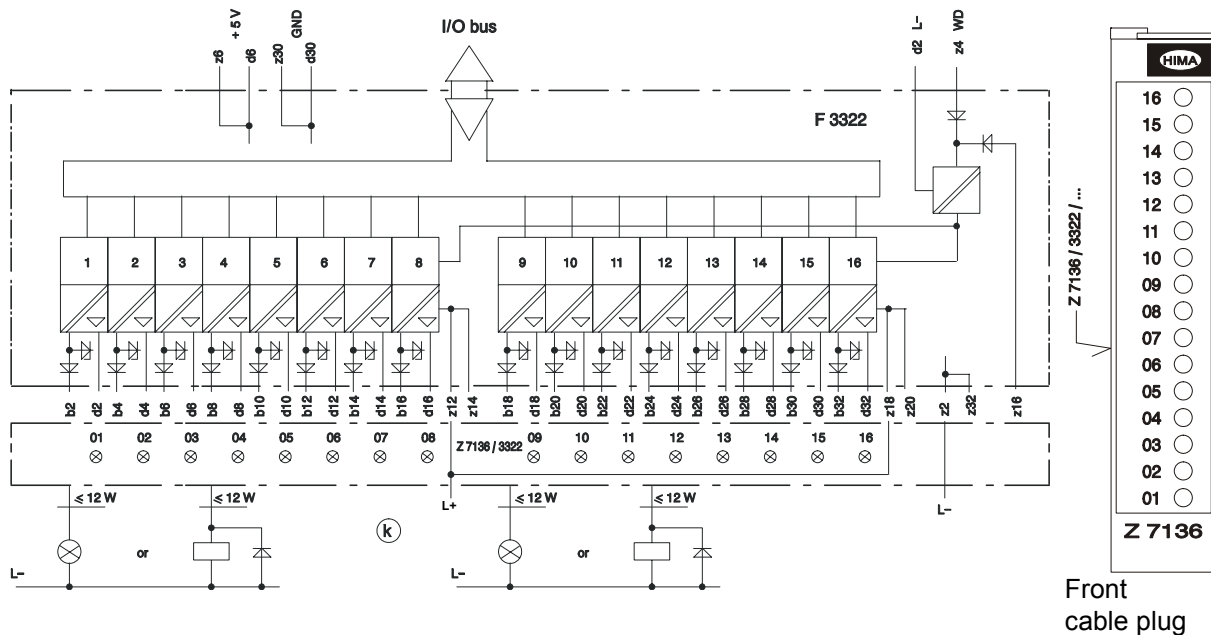


Figure 1: Block diagram and front cable plug

Planning note

Only max. 10 output modules with nominal load may be used in one I/O subrack, and not more than half of the possible output loads of 16 x 0.5 A (= 8 A) may be switched on at the same time. The standard fusing of the modules in the I/O subrack is 4 A slow blow.

Outputs	500 mA, (k) short-circuit proof
Response value for current limiter	> 550 mA
Space requirements	4 SU
Operating data	5 VDC / 110 mA
	24 VDC / 150 mA plus load

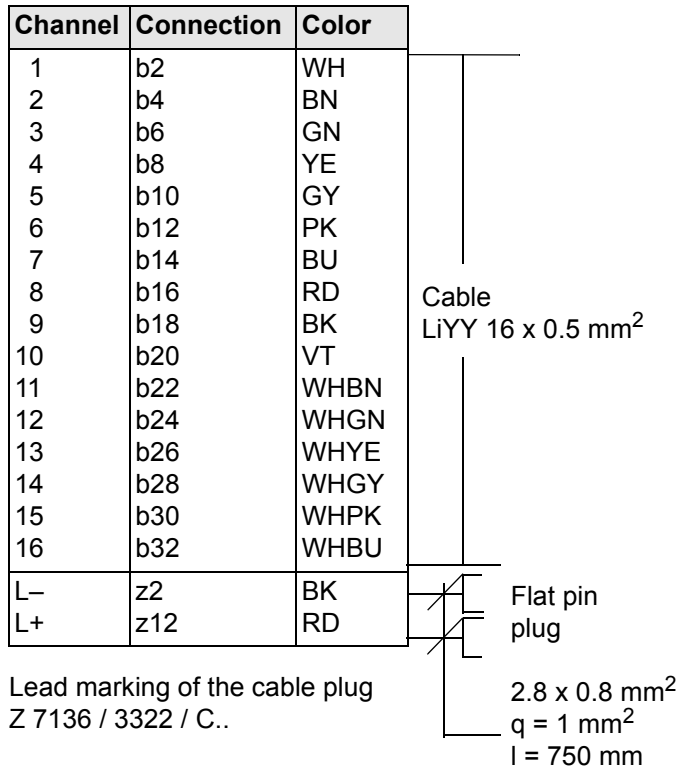


Figure 2: Lead marking of the cable plug Z 7136 / 3322 / C..

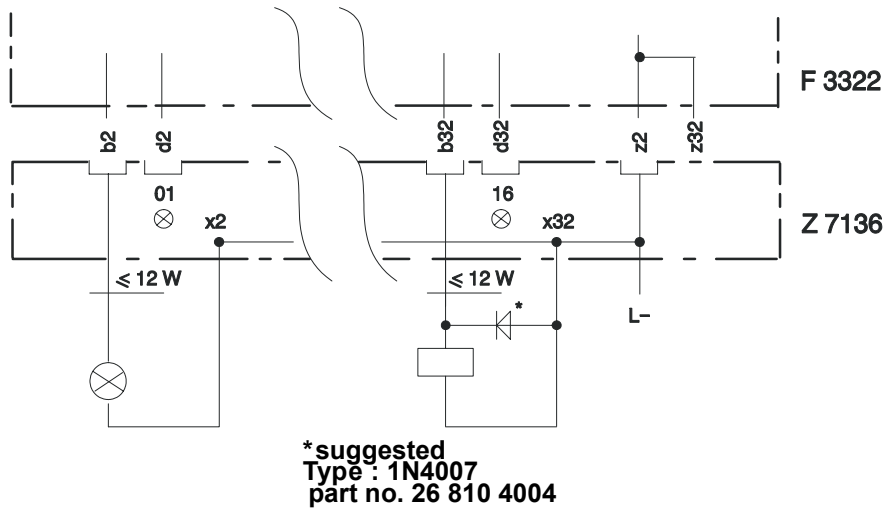


Figure 3: 2-pole connection

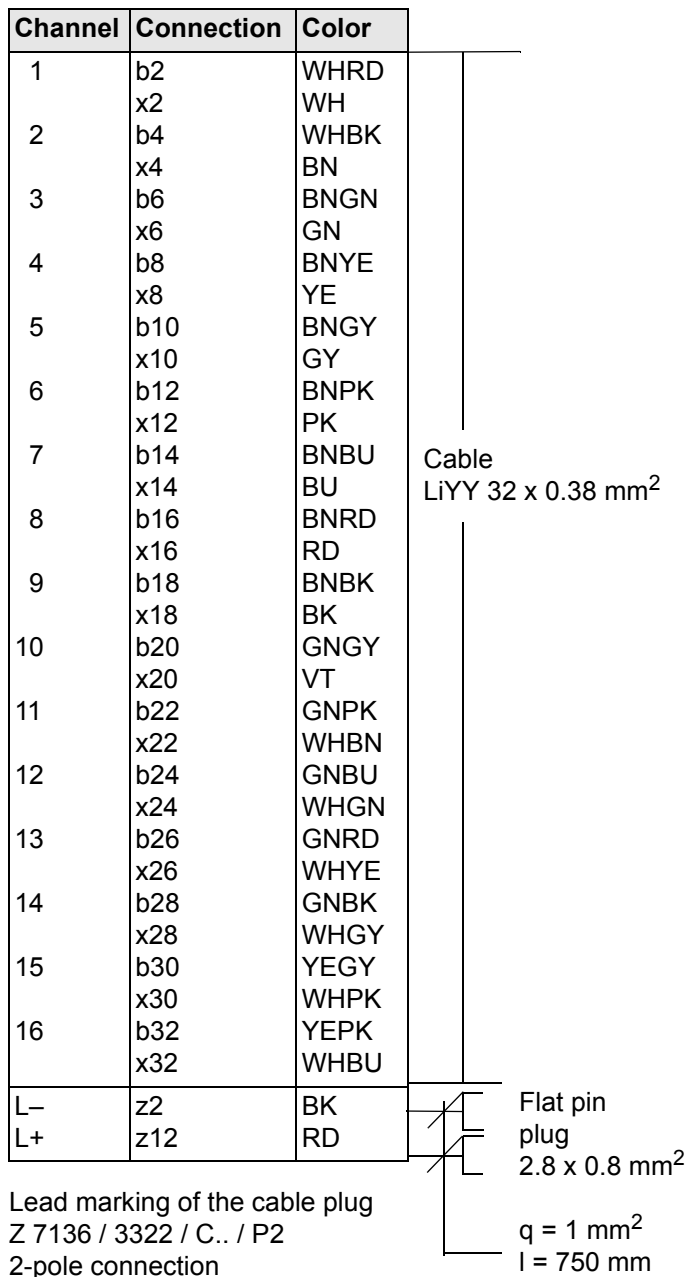


Figure 4: Lead marking of the cable plug Z 7136 / 3322 / C.. / P2 2-pole connection

