



F 3221: 16-channel input module

- for sensors or 1-signals with safety isolation
- non-interacting

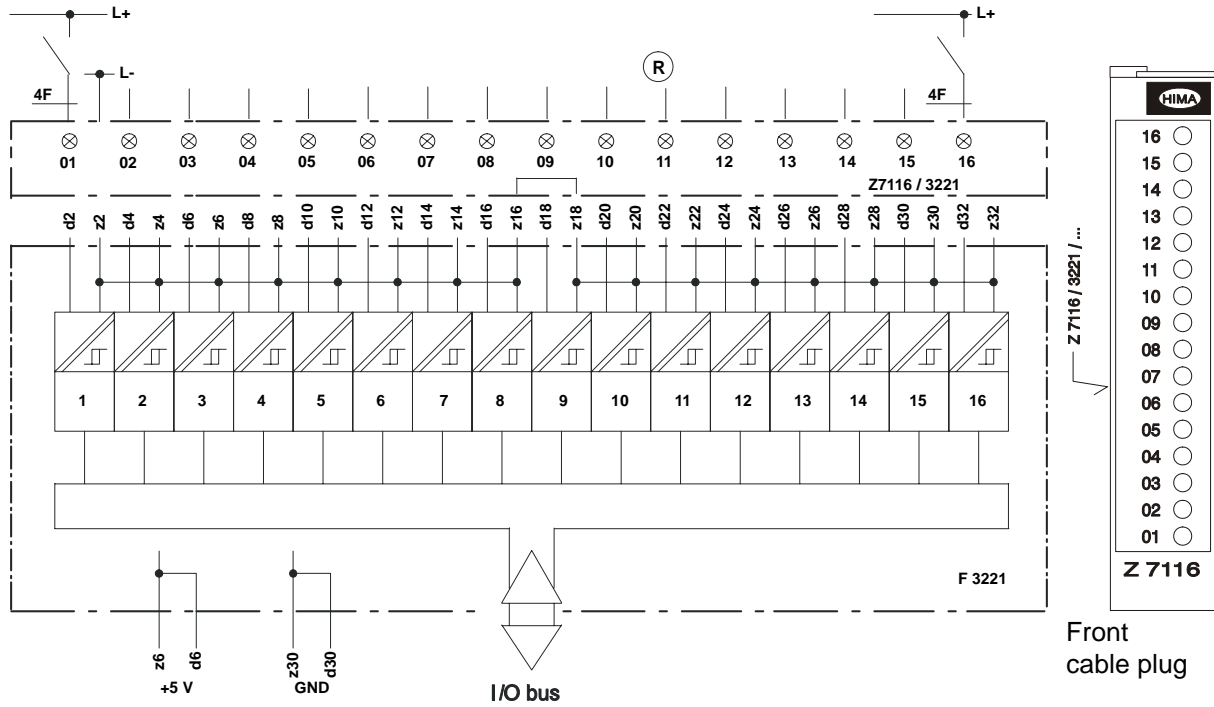


Figure 1: Block diagram and front cable plug

Inputs	1-signal, 8 mA (incl. cable plug) or mechanical contact 24 V
Switching time	typ. 10 ms
Space requirement	4 SU
Operating data	5 VDC / 70 mA 24 VDC / 130 mA

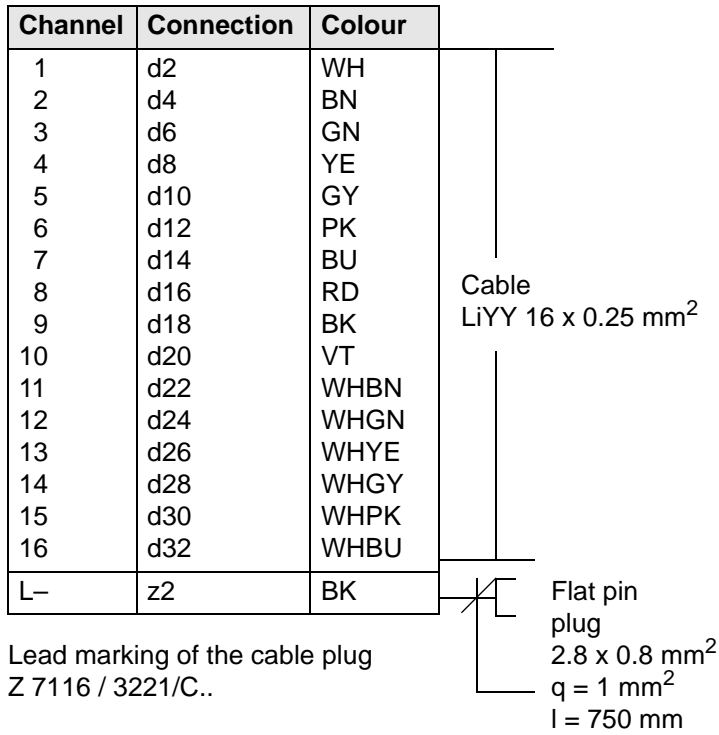


Figure 2: Lead marking of the cable plug

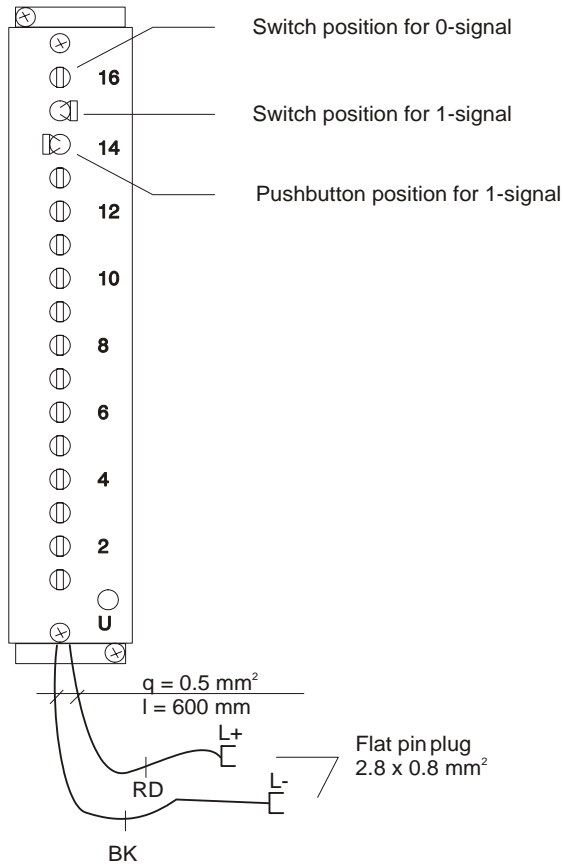


Figure 3: Test plug construction Z 7201 / 3221 + 25