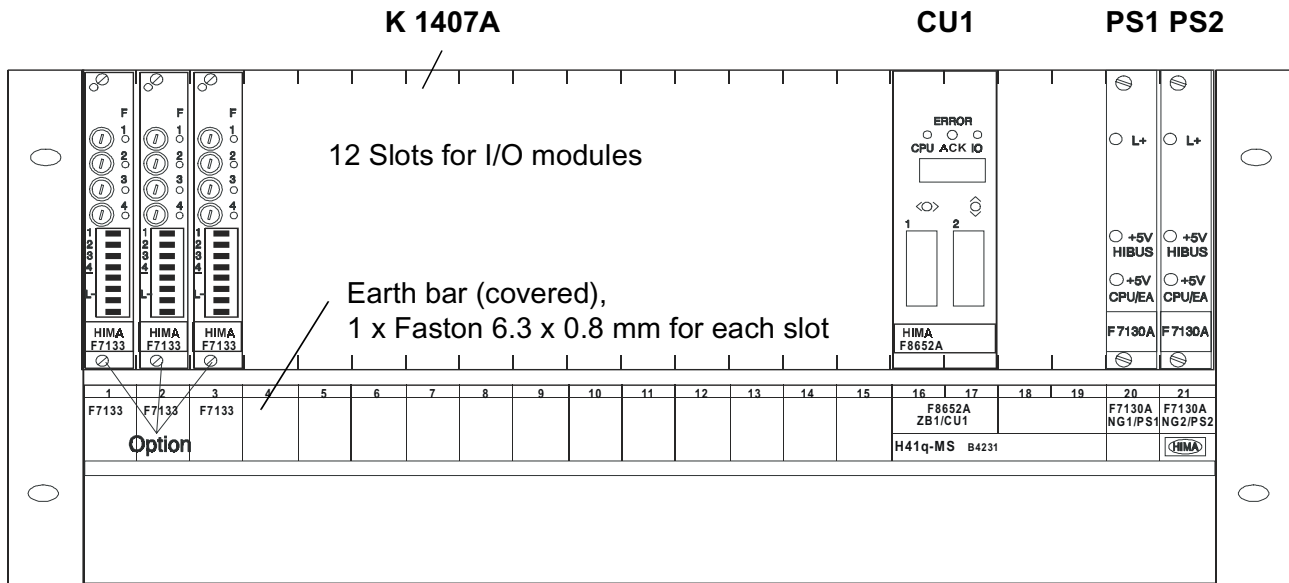




**Assembly kit B 4231**  
 System H41q-MS  
 compact PES  
 TÜV-tested, requirement classes 1 ... 6



**Parts of the assembly kit B 4231:**

- 1 x K 1407A system rack, 5 units high, 19 inch with integrated cable tray, with a hinged receptacle for the label and backplane Z 1007A.
- additional modules on the rear
  - 2 x Z 6011 decoupling and fusing to feed the power supply modules
  - 1 x Z 6018 fan run monitoring and fuse monitoring
  - 1 x K 9212 fan module
  - 2 x Z 6013 decoupling and fusing for the supply voltage of the WD signal
  - 1 x Z 6007 jumper plug

include the modules:

- 1 x F 8653A central module (CU1)
- 2 x F 7130A power supply module 24/5 V DC (PS1, PS2)

Modules for option (separate order)

- 3 x F 7133 4-fold power distribution
- max. 12 I/O modules (slots 4 to 15)

The assembly kit is usable since operating system BS 41q/51q V7.0-7.

**Wiring of the assembly kit connections**

Wirings to be done by the user (refer to "Wiring of the assembly kit, diagram):

*Supply 24 V DC*

Connection	Wire and connection	Fusing	Use
XG.24/25:2 (L+)	RD 2,5 mm <sup>2</sup> , Faston 6,3 x 0,8	max. 16 A gL	PS1, PS2
XG.24:1 (L-)	BK 2,5 mm <sup>2</sup> , Faston 6,3 x 0,8		Reference pole L-
XG.6 (L+)	RD 2,5 mm <sup>2</sup> , Faston 6,3 x 0,8	max. 16 A gL	F 7133, Slot 3
XG.7 (L+)	RD 2,5 mm <sup>2</sup> , Faston 6,3 x 0,8	max. 16 A gL	F 7133, Slot 2
XG.8 (L+)	RD 2,5 mm <sup>2</sup> , Faston 6,3 x 0,8	max. 16 A gL	F 7133, Slot 1
XG.14 (L-)	BK 2 x 2,5 mm <sup>2</sup> , Faston 6,3 x 0,8 (see note)		Reference pole L-

Note: To be wired to the central L- bus bar with at least 2 x 2,5 mm<sup>2</sup> BK. If output modules with 2pole connection to the actors are used depending on the load up to 4 x 2,5 mm<sup>2</sup> BK wiring is necessary

*Connection of the monitoring loop (for fuses and fan)*

Connection	Wire and connection	Fusing	Use
XG.21:4/5/6	GY 0,5 mm <sup>2</sup> , Faston 2,8 x 0,8	max. 4 A T	Floating NO/NC contact for signalling

**Internal fuses**

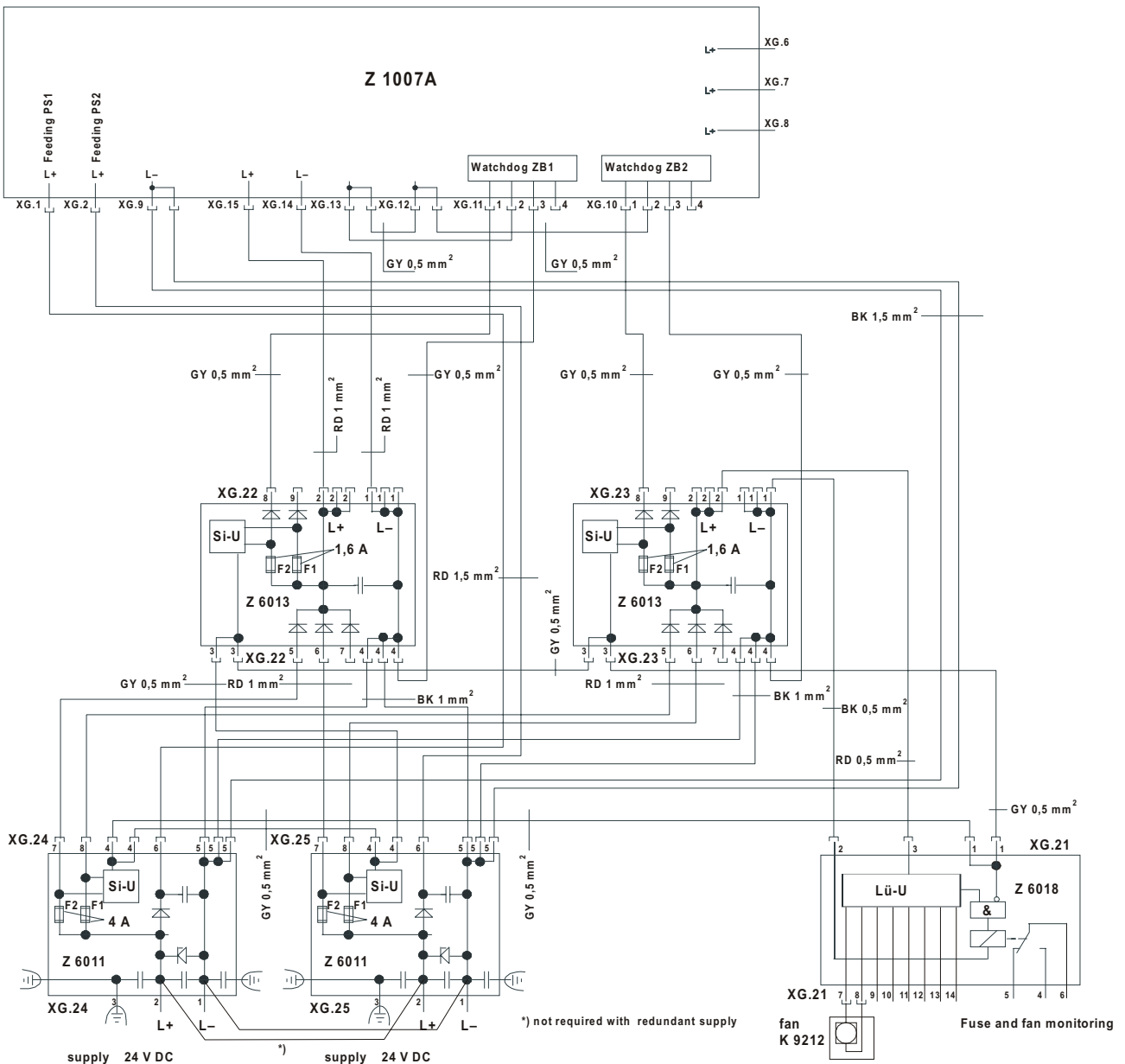
Position	Size	Dimension	HIMA part no.
Z 6011	4 A T	5 x 20 mm	57 0174169
Z 6013	1,6 A T	5 x 20 mm	57 0174409

**Note for earthing**

With installation of the assembly kit a conductive connection to the frame or a separate earth connection has to be installed according to the EMC requirements.

Connection: Faston 6,3 x 0,8 mm

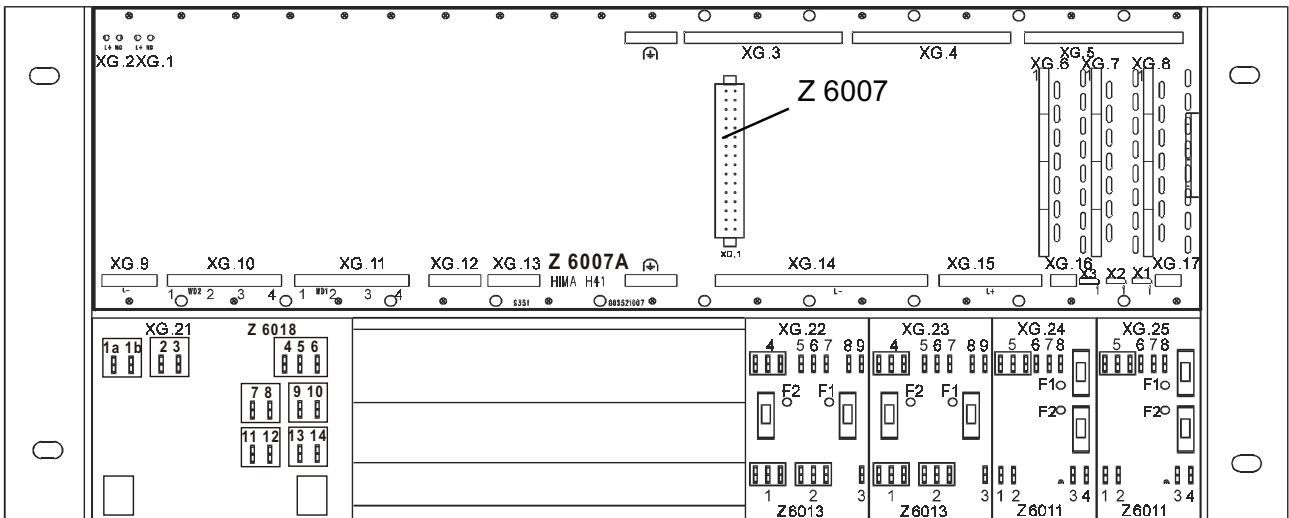
**Attention:** Pay attention for the manufacturers information concerning detaching and replugging of the Faston connectors!



Lü-Ü = Fan monitoring  
 Si-Ü = Fuse monitoring

Wiring of the assembly kit, diagram

**Note:** The assembly kit is fully wired for a possible extension to redundant systems.



Rear

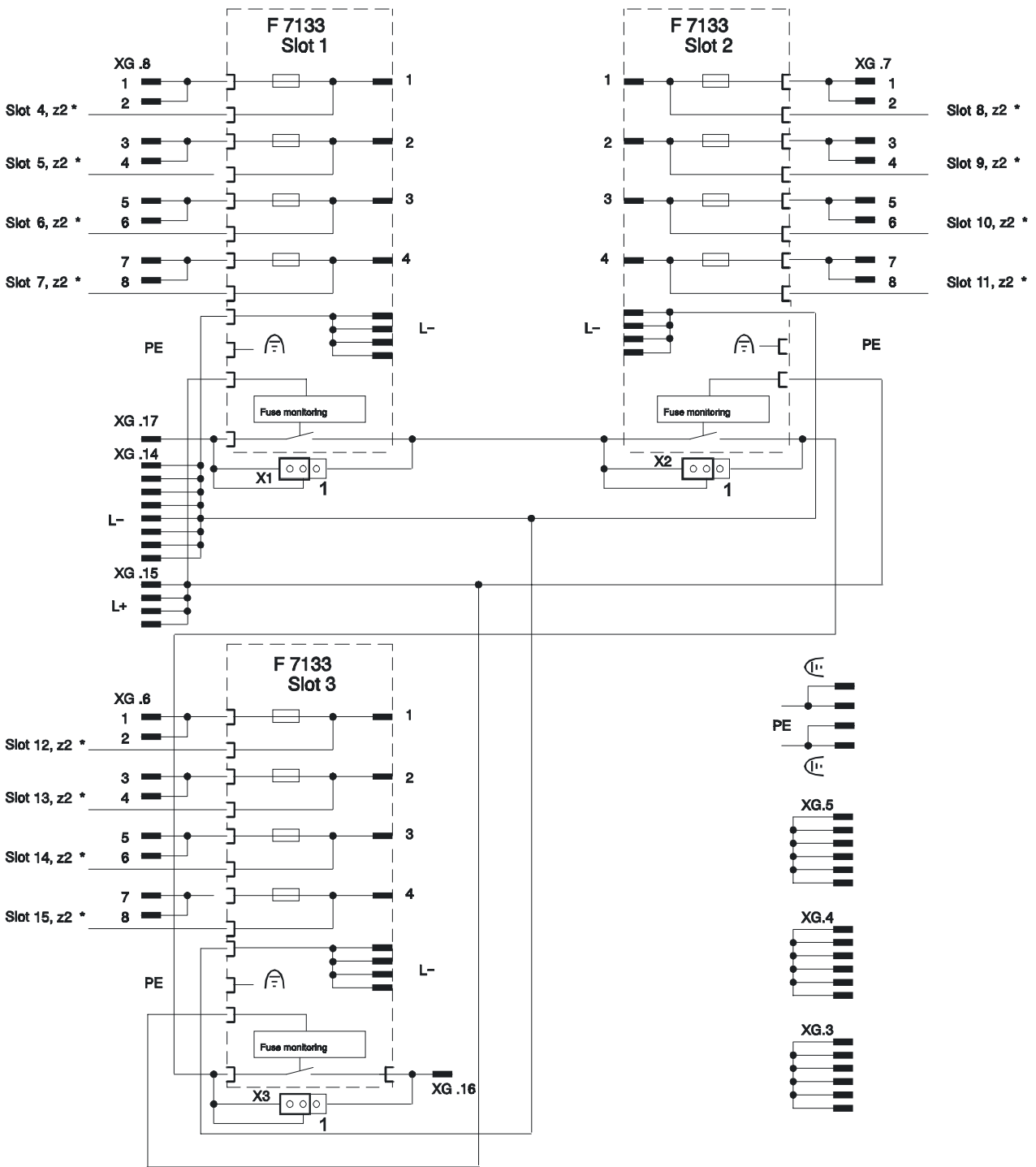
Connections on the rear of the system rack K 1407A:

- XG. 1, XG .2      Supply L+ for the power supply modules  
Reference pole: XG. 9 (L-)
- XG. 3, XG. 4      Potential distributor, free disposal of  
XG. 5
- XG. 6              L+ to F 7133, slot 3
- XG. 7              L+ to F 7133, slot 2
- XG. 8              L+ to F 7133, slot 1
- XG. 9              L- for the power supply modules
- XG. 10             Watchdog-Signal (not active)
- XG. 11             Watchdog-Signal from CU1
- XG. 12             Watchdog signal for I/O modules,  
(not active)
- XG. 13             Watchdog signal for I/O modules,
- XG. 14             Potential distributor L-
- XG. 15             L+ for fuse monitoring F 7133
- XG. 16, XG .17    Fuse monitoring (neutral contacts on  
current distribution module F 7133, not  
equipped F 7133 can be overridden  
by the jumpers X1 ... X3  
■□ = Slot equipped

⏏ PE (earth)

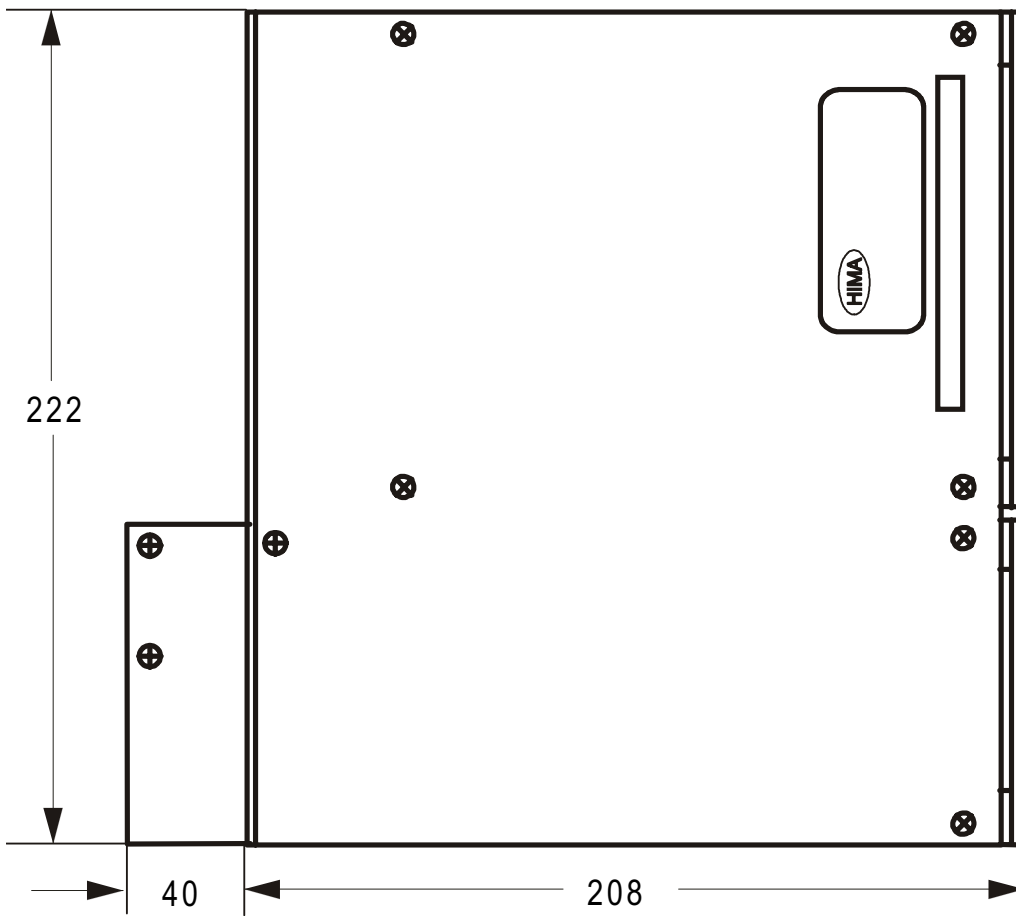
Connections of the additional. modules Z 6011, Z 6018, Z 6013:

- XG. 21             refer to
- XG. 22, XG .23    wiring of the assembly kit,
- XG. 24, XG. 25    diagram



\* Note: Fix related to the slots due to the connection via bus board

Supply, monitoring and distribution of the 24 V system voltage in the I/O level and potential distribution



Side view