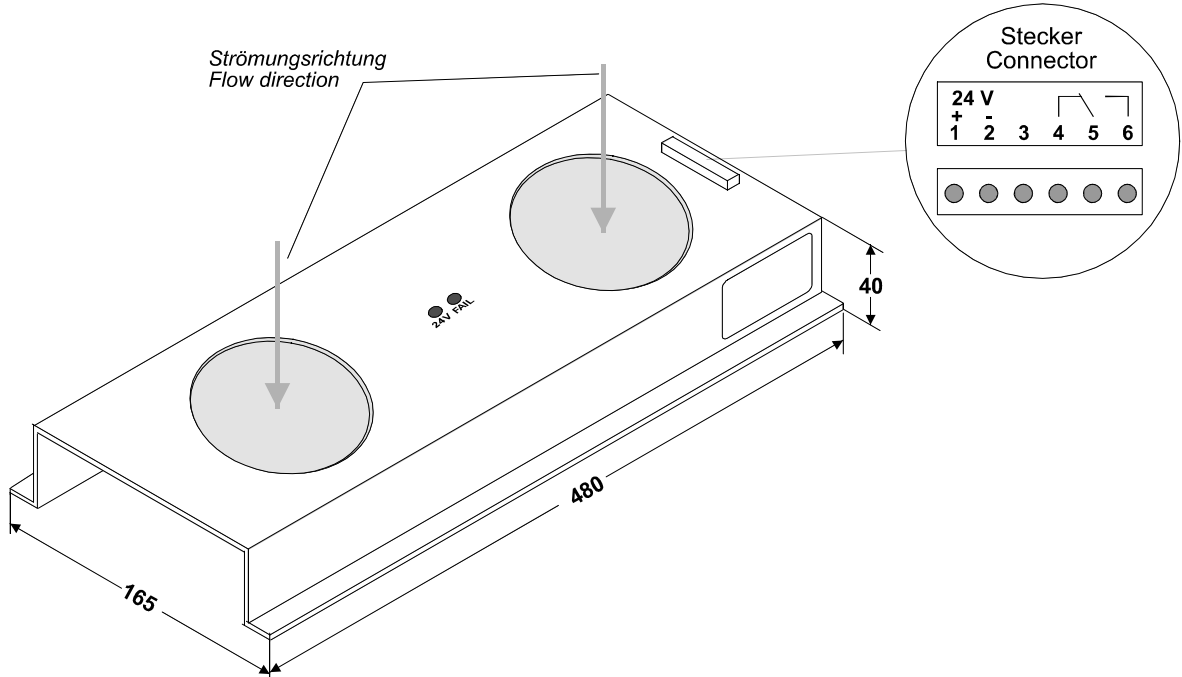




K 9202

Cabinet Fan K 9202

Forced-draft fan drawer with two axial fans,
with fan run monitoring



Installation: Below the top plate cutout of the cabinet

Application: For the ventilation of the cabinet

Accessories: Air discharge opening grill and fixing accessories for top plate cutout, already mounted in the standard cabinet

Display of operation and errors:

Operation status	Connector pin 4-5 Contact	Connector pin 5-6 Contact	LED FAIL	LED 24 V
Without error	open	closed	OFF	ON
Operating voltage missing or fuse failure	closed	open	OFF	OFF
Fan fault *	closed	open	ON	ON

* Fan speed < 75...85 % of the rated speed

Material	Aluminium, anodized
Operating data	24 V DC / 500 mA
Air flow rate	200 m ³ per hour
Life at 40 °C	70 000 h
Weight	1.2 kg