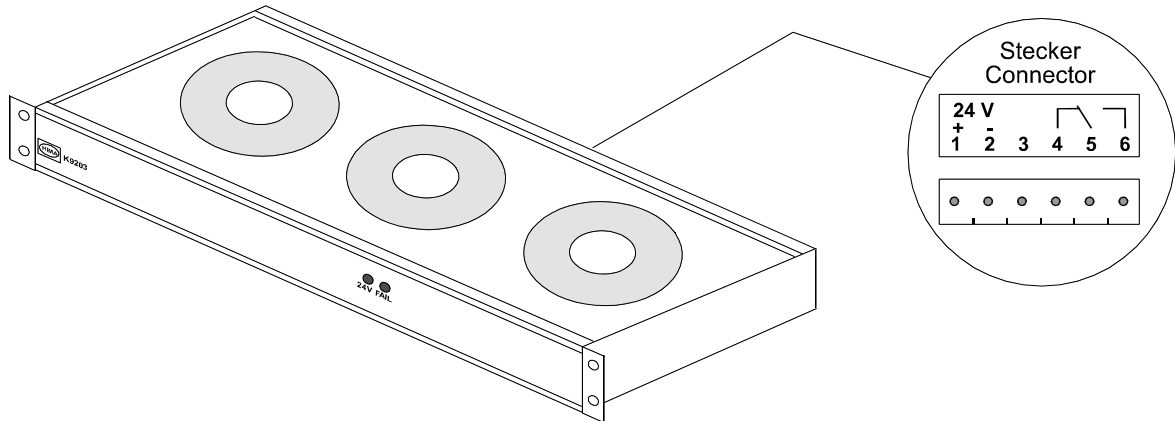




# K 9203

## Circulating Fan K 9203

Circulating fan drawer with three axial fans, with fan run monitoring



**Installation:** At any location in the 19-inches field

**Application:** Forced ventilation of 19-inches installations

Note: The positions of the axial fans in the K 9203 drawer are adapted to the subracks of the recessed HIMA subrack systems.

### Display of operation and errors:

Operation status	Connector pin 4-5 Contact	Connector pin 5-6 Contact	LED FAIL	LED 24 V
Without fault	open	closed	OFF	ON
Operating voltage missing or fuse failure	closed	open	OFF	OFF
Fan fault *	closed	open	ON	ON

\* Fan speed < 75...85 % of the rated speed

Material	Aluminium, anodized
Operating data	24 V DC / 750 mA
Air flow rate	280 m <sup>3</sup> per hour
Life time at 40 °C	70 000 h
Weight	1.8 kg